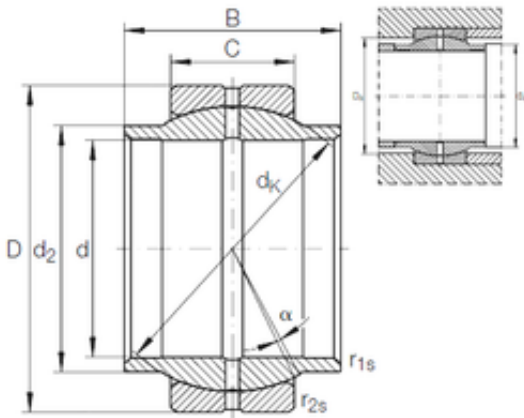




# LINK BELT BEARING LTD

40 mm x 62 mm x 40 mm 40 mm x 62 mm x 40 mm  
 INA Ge 40 Lo GERMANY Bearing  
 45\*120\*36.5



Bearing No. Ge 40 Lo

Size	40x62x40 mm
Bore Diameter	40 mm
Outer Diameter	62 mm
Width	40 mm
d	40 mm
D	62 mm
B	40 mm
C	22 mm
d2	46 mm
dk	53 mm
r1 min.	0,6 mm
r2 min.	1 mm
da max	46 mm
Da min	51 mm
Angle	4 °
Weight	0,33 Kg
Basic dynamic load rating (C)	100 kN

Ge 40 Lo Bearing 2D drawings and 3D CAD models