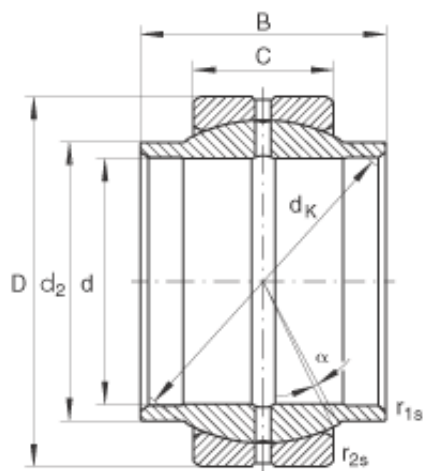




LINK BELT BEARING LTD



INA GE125-LO GERMANY Bearing 120*180*125

Bearing No. GE125-LO

GE125-LO Bearing 2D drawings and 3D CAD models

Size	125x180x125 mm
Bore Diameter	125 mm
Outer Diameter	180 mm
Width	125 mm
C	70 mm
$D_{a \min}$	150 mm
d_2	138 mm
d_k	160 mm
$r_{1s \min}$	1 mm
$r_{2s \min}$	1 mm
α (°)	4
Weight (kg)	8,1
C_r (N)	952000
C_{0r} (N)	4760000
Category	Spherical Plain Bearings - Radial
Inventory	0.0
Manufacturer Name	SCHAEFFLER GROUP
Minimum Buy Quantity	N/A
Weight / Kilogram	9.819
EAN	4012802534146
Product Group	B04264
Self Aligning	Yes
Rolling Element	Spherical Plain
Material - Outer Member	Steel



LINK BELT BEARING LTD

Material - Ball	Steel
Material - Liner	Not Applicable
Relubricatable	Yes
Enclosure	Open
Other Features	2 Piece Single Axial Split in Outer Ring Extended Inner Ring on Both Sides
Long Description	125MM Bore; 70MM Housing Width; 180MM Outside Diameter; Spherical Plain; Steel Outer Member; Steel Ball; No Liner; 125MM Overall Width; Relubricatable
Inch - Metric	Metric
Category	Plain Bearings Spherical Radial
UNSPSC	31171515
Harmonized Tariff Code	8483.30.80.70
Noun	Bearing
Keyword 3	Spherical
Keyword String	Plain Spherical Radial
Manufacturer URL	http://www.ina.com
Manufacturer Item Number	GE125LO
Weight / LBS	18.74
Outside Diameter	7.087 Inch 180 Millimeter
Bore	4.921 Inch 125 Millimeter
Overall Width	4.921 Inch 125 Millimeter
Housing Width	2.756 Inch 70 Millimeter