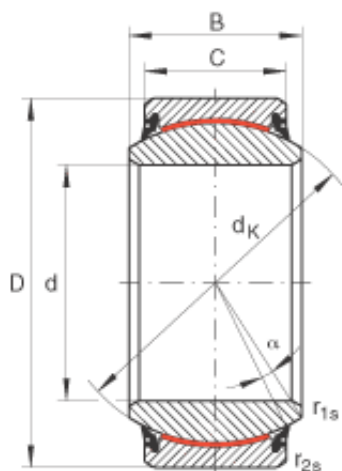




LINK BELT BEARING LTD



INA GE160-UK-2RS GERMANY Bearing 16x30x14

Bearing No. GE160-UK-2RS

GE160-UK-2RS Bearing 2D drawings and 3D CAD models

Size	160x230x105 mm
Bore Diameter	160 mm
Outer Diameter	230 mm
Width	105 mm
C	80 mm
$D_{a \min}$	191 mm
$d_{a \max}$	170,2 mm
d_k	200 mm
$r_{1s \min}$	1 mm
$r_{2s \min}$	1 mm
alf (°)	8
Weight (kg)	13,8
C_r (N)	3840000
C_{0r} (N)	6400000
Category	Spherical Plain Bearings - Radial
Inventory	0.0
Manufacturer Name	SCHAEFFLER GROUP
Minimum Buy Quantity	N/A
Weight / Kilogram	16.657
EAN	4012802532234
Product Group	B04264
Self Aligning	Yes
Rolling Element	Spherical Plain
Material - Outer Member	Steel



LINK BELT BEARING LTD

Material - Ball	Steel
Material - Liner	Teflon
Relubricatable	No
Enclosure	2 Seals
Other Features	2 Piece Axially Split Outer Ring
Long Description	160MM Bore; 80MM Housing Width; 230MM Outside Diameter; Spherical Plain; Steel Outer Member; Steel Ball; Teflon Liner; 105MM Overall Width; Not Relubricatable
Inch - Metric	Metric
Category	Plain Bearings Spherical Radial
UNSPSC	31171515
Harmonized Tariff Code	8483.30.80.70
Noun	Bearing
Keyword 3	Spherical
Keyword String	Plain Spherical Radial
Manufacturer URL	http://www.ina.com
Manufacturer Item Number	GE160UK2RS
Weight / LBS	29.77
Bore	6.299 Inch 160 Millimeter
Overall Width	4.134 Inch 105 Millimeter
Housing Width	3.15 Inch 80 Millimeter
Outside Diameter	9.055 Inch 230 Millimeter