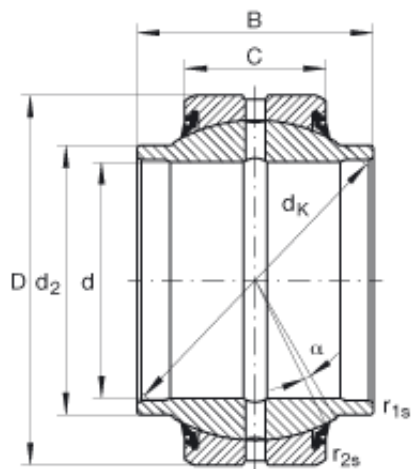




LINK BELT BEARING LTD



INA GE60-HO-2RS GERMANY Bearing

Bearing No. GE60-HO-2RS

Size	60x90x54 mm
Bore Diameter	60 mm
Outer Diameter	90 mm
Width	54 mm
C	36 mm
$D_{a \min}$	75 mm
d_2	67,7 mm
d_k	80 mm
$r_{1s \min}$	0,3 mm
$r_{2s \min}$	1 mm
alf (°)	3
Weight (kg)	1,1
C_r (N)	245000
C_{0r} (N)	1220000
Category	Spherical Plain Bearings - Radial
Inventory	0.0
Manufacturer Name	SCHAEFFLER GROUP
Minimum Buy Quantity	N/A
Weight / Kilogram	0
EAN	4012802039283
Product Group	B04264
Component	Complete with Outer and Inner Ring
Self Aligning	Yes
Rolling Element	Spherical Plain Bearing

GE60-HO-2RS Bearing 2D drawings and 3D CAD models



LINK BELT BEARING LTD

Material - Outer Member	Steel
Material - Ball	Steel
Material - Liner	Not Applicable
Relubricatable	Yes
Enclosure	2 Seals
Other Features	2 Piece Extended Inner Ring Axially Split Outer Ring
Long Description	60MM Bore; 36MM Housing Width; 90MM Outside Diameter; Complete with Outer and Inner Ring; Self Aligning; Spherical Plain Bearing; Steel Outer Member; Steel Ball; 2 Seals; 54MM Overall Width; Relubrica
Inch - Metric	Metric
Category	Plain Bearings Spherical Radial
UNSPSC	31171515
Harmonized Tariff Code	8483.30.80.70
Noun	Bearing
Keyword 3	Spherical
Keyword String	Plain Radial Spherical
Manufacturer URL	http://www.ina.com
Manufacturer Item Number	GE60HO2RS
Weight / LBS	2.426
Bore	2.362 Inch 60 Millimeter
Housing Width	1.417 Inch 36 Millimeter
Outside Diameter	3.543 Inch 90 Millimeter
Overall Width	2.126 Inch 54 Millimeter