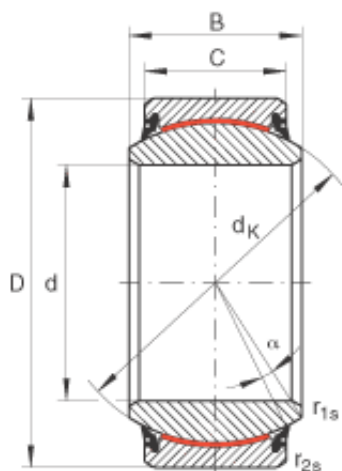




LINK BELT BEARING LTD



INA GE70-UK-2RS GERMANY Bearing 76.2*120.65*66.675

Bearing No. GE70-UK-2RS

GE70-UK-2RS Bearing 2D drawings and 3D CAD models

Size	70x105x49 mm
Bore Diameter	70 mm
Outer Diameter	105 mm
Width	49 mm
C	40 mm
$D_{a \min}$	87 mm
$d_{a \max}$	77,8 mm
d_k	92 mm
$r_{1s \min}$	1 mm
$r_{2s \min}$	1 mm
alf (°)	6
Weight (kg)	1,5
C_r (N)	883000
C_{0r} (N)	1470000
Category	Spherical Plain Bearings - Radial
Inventory	0.0
Manufacturer Name	SCHAEFFLER GROUP
Minimum Buy Quantity	N/A
Weight / Kilogram	1.808
EAN	4012802532043
Product Group	B04264
Self Aligning	Yes
Rolling Element	Spherical Plain
Material - Outer Member	Steel



LINK BELT BEARING LTD

Material - Ball	Steel
Material - Liner	Teflon
Relubricatable	No
Enclosure	2 Seals
Other Features	2 Piece Axially Split Outer Ring
Long Description	70MM Bore; 40MM Housing Width; 105MM Outside Diameter; Spherical Plain; Steel Outer Member; Steel Ball; Teflon Liner; 49MM Overall Width; Not Relubricatable
Inch - Metric	Metric
Category	Plain Bearings Spherical Radial
UNSPSC	31171515
Harmonized Tariff Code	8483.30.80.70
Noun	Bearing
Keyword 3	Spherical
Keyword String	Plain Spherical Radial
Manufacturer URL	http://www.ina.com
Manufacturer Item Number	GE70UK2RS
Weight / LBS	3.308
Outside Diameter	4.134 Inch 105 Millimeter
Overall Width	1.929 Inch 49 Millimeter
Housing Width	1.575 Inch 40 Millimeter
Bore	2.756 Inch 70 Millimeter