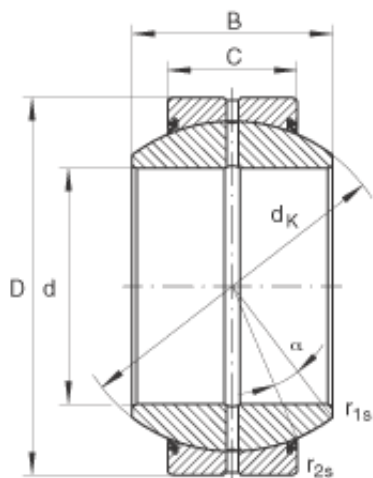




# LINK BELT BEARING LTD



## INA GE80-FO-2RS GERMANY Bearing 80\*120\*80

Bearing No. GE80-FO-2RS

GE80-FO-2RS Bearing 2D drawings and 3D CAD models

Size	80x130x75 mm
Bore Diameter	80 mm
Outer Diameter	130 mm
Width	75 mm
C	50 mm
D <sub>a min</sub>	108 mm
d <sub>a max</sub>	87,1 mm
d <sub>k</sub>	115 mm
r <sub>1s min</sub>	1 mm
r <sub>2s min</sub>	1 mm
alf ( ° )	14
Weight (kg)	3,5
C <sub>r</sub> (N)	489000
C <sub>0r</sub> (N)	2440000
Category	Spherical Plain Bearings - Radial
Inventory	0.0
Manufacturer Name	SCHAEFFLER GROUP
Minimum Buy Quantity	N/A
Weight / Kilogram	4.263
EAN	4012802533910
Product Group	B04264
Self Aligning	Yes
Rolling Element	Spherical Plain
Material - Outer Member	Steel



## LINK BELT BEARING LTD

Material - Ball	Steel
Material - Liner	Not Applicable
Relubricatable	Yes
Enclosure	2 Seals
Other Features	2 Piece   Single Axial Split in Outer Ring   Wide Inner Ring with Increased Tilting Angle
Long Description	80MM Bore; 50MM Housing Width; 130MM Outside Diameter; Spherical Plain; Steel Outer Member; Steel Ball; No Liner; 75MM Overall Width; Relubricatable
Inch - Metric	Metric
Category	Plain Bearings Spherical Radial
UNSPSC	31171515
Harmonized Tariff Code	8483.30.80.70
Noun	Bearing
Keyword 3	Spherical
Keyword String	Plain Spherical Radial
Manufacturer URL	<a href="http://www.ina.com">http://www.ina.com</a>
Manufacturer Item Number	GE80FO2RS
Weight / LBS	7.718
Bore	3.15 Inch   80 Millimeter
Overall Width	2.953 Inch   75 Millimeter
Outside Diameter	5.118 Inch   130 Millimeter
Housing Width	1.969 Inch   50 Millimeter