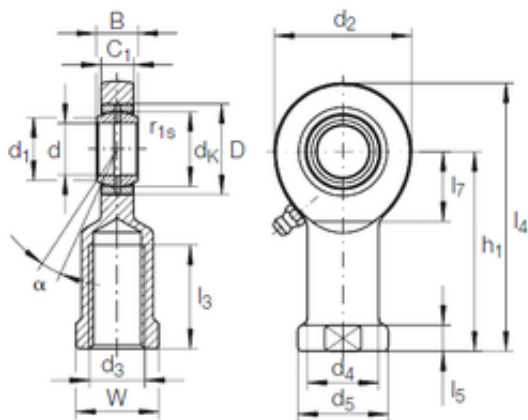




## LINK BELT BEARING LTD

12 mm x 22 mm x 10 mm 12 mm x 22 mm x 10 mm INA GIR 12 DO GERMANY Bearing

Bearing No. GIR 12 DO



GIR 12 DO Bearing 2D drawings and 3D CAD models

Size	12x22x10 mm
Bore Diameter	12 mm
Outer Diameter	22 mm
Width	10 mm
d	12 mm
D	22 mm
B	10 mm
d1	14,9 mm
d2	34 mm
d4	17,5 mm
dk	18 mm
h1	50 mm
l3 min.	23 mm
l4 max.	67 mm
l5	6,5 mm
l7 min.	18 mm
r1 min.	0,3 mm
C1	8 mm
W	19 mm
Thread (G)	M12
Angle	11 °
d5	22 r/min
Weight	0,098 Kg
Basic dynamic load rating (C)	10,8 kN