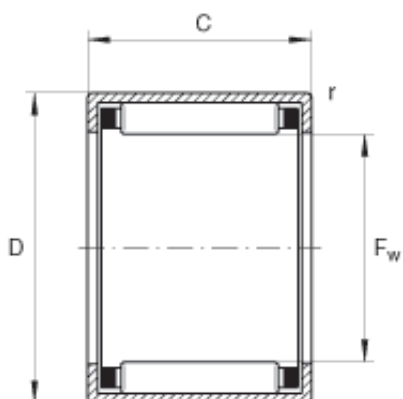




LINK BELT BEARING LTD



INA HK1512 GERMANY Bearing 15*21*12

Bearing No. HK1512

| | |
|-----------------------------|---------------------------------------|
| Size | 15x21x12 mm |
| Bore Diameter | 15 mm |
| Outer Diameter | 21 mm |
| Width | 12 mm |
| F_w | 15 mm |
| D | 21 mm |
| C - 12 mm / Tolerance: -0,3 | 12 mm / Tolerance: 0,3 |
| r_{min} | 0,8 mm |
| m | 11 g / Weight |
| C_r | 7900 N / Dynamic load rating (radial) |
| C_{0r} | 9400 N / Static load rating (radial) |
| C_{ur} | 1150 N / Fatigue limit load, radial |
| n_G | 16300 1/min / Limiting speed |
| n_B | 11400 1/min / Reference speed |
| | LR12X15X12,5 / Suitable inner ring |
| | IR12X15X12,5 / Suitable inner ring |
| Category | Needle Non Thrust Roller Bearings |
| Inventory | 6.0 |
| Manufacturer Name | SCHAEFFLER GROUP |
| Minimum Buy Quantity | N/A |
| | |

HK1512 Bearing 2D drawings and 3D CAD models



LINK BELT BEARING LTD

| | |
|---------------------------|--|
| Weight / Kilogram | 0.01 |
| Product Group | B04144 |
| Rolling Element | Needle Roller Bearing |
| Component | Roller Assembly with Outer Ring - No Inner Ring |
| Enclosure | Open |
| Self Aligning | No |
| Retainer | Yes |
| Number of Rows of Rollers | Single Row |
| Separable | No |
| Closed End | No |
| Inch - Metric | Metric |
| Relubricatable | No |
| Thrust Bearing | No |
| Long Description | 15MM Bore; 21MM Outside Diameter; 12MM Width; Needle Roller Bearing; Roller Assembly with Outer Ring - No Inner Ring; Open; Not Self Aligning; Retainer; Single Row of Rollers; Not Separable; Not Close |
| Other Features | 2 Rib Outer Ring Drawn Cup Bearing Steel Cage |
| Category | Needle Non Thrust Roller Bearing |
| UNSPSC | 31171512 |
| Harmonized Tariff Code | 8482.99.65.30 |
| Noun | Roller Assembly with Outer Ring |
| Keyword String | Bearing Needle |
| Manufacturer URL | http://www.ina.com |
| Manufacturer Item Number | HK1512 |
| Weight / LBS | 0.024 |
| Outside Diameter | 0.827 Inch 21 Millimeter |



LINK BELT BEARING LTD

| | |
|-------|----------------------------|
| Width | 0.472 Inch 12 Millimeter |
| Bore | 0.591 Inch 15 Millimeter |