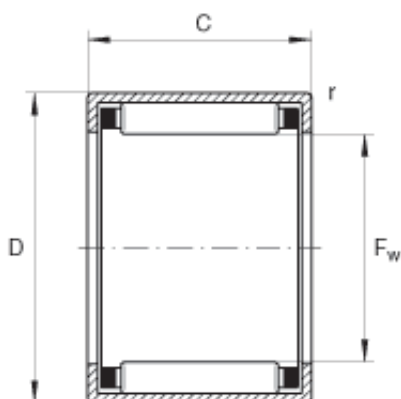




# LINK BELT BEARING LTD



## INA HK2020 GERMANY Bearing 22\*28\*16

Bearing No. HK2020

Size	20x26x20 mm
Bore Diameter	20 mm
Outer Diameter	26 mm
Width	20 mm
$F_w$	20 mm
D	26 mm
C - 20 mm / Tolerance: -0,3	20 mm / Tolerance: 0,3
$r_{min}$	0,8 mm
m	24 g / Weight
$C_r$	15700 N / Dynamic load rating (radial)
$C_{0r}$	26000 N / Static load rating (radial)
$C_{ur}$	3500 N / Fatigue limit load, radial
$n_G$	12700 1/min / Limiting speed
$n_B$	8600 1/min / Reference speed
	LR17X20X20,5 / Suitable inner ring
	IR17X20X20,5 / Suitable inner ring
Category	Needle Non Thrust Roller Bearings
Inventory	8.0
Manufacturer Name	SCHAEFFLER GROUP
Minimum Buy Quantity	N/A

HK2020 Bearing 2D drawings and 3D CAD models



## LINK BELT BEARING LTD

Weight / Kilogram	0.02
Product Group	B04144
Rolling Element	Needle Roller Bearing
Component	Roller Assembly with Outer Ring - No Inner Ring
Enclosure	Open
Self Aligning	No
Retainer	Yes
Number of Rows of Rollers	Single Row
Separable	No
Closed End	No
Inch - Metric	Metric
Relubricatable	No
Thrust Bearing	No
Long Description	20MM Bore; 26MM Outside Diameter; 20MM Width; Needle Roller Bearing; Roller Assembly with Outer Ring - No Inner Ring; Open Enclosure; No Self Aligning; Retainer; Single Row of Rollers; No Separable; N
Other Features	2 Rib Outer Ring   Drawn Cup Bearing   Steel Cage
Category	Needle Non Thrust Roller Bearing
UNSPSC	31171512
Harmonized Tariff Code	8482.40.00.00
Noun	Bearing
Keyword String	Needle
Manufacturer URL	<a href="http://www.ina.com">http://www.ina.com</a>
Manufacturer Item Number	HK2020
Weight / LBS	0.053
Width	0.787 Inch   20 Millimeter
Outside Diameter	1.024 Inch   26 Millimeter



## LINK BELT BEARING LTD

Bore	0.787 Inch   20 Millimeter
------	----------------------------