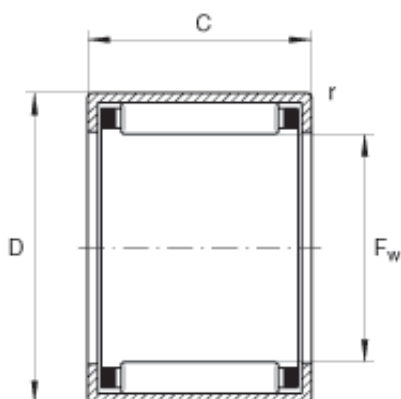




LINK BELT BEARING LTD



INA HK2526 GERMANY Bearing 25X32X30

Bearing No. HK2526

Size	25x32x26 mm
Bore Diameter	25 mm
Outer Diameter	32 mm
Width	26 mm
F_w	25 mm
D	32 mm
C - 26 mm / Tolerance: -0,3	26 mm / Tolerance: 0,3
r_{min}	0,8 mm
m	44 g / Weight
C_r	25500 N / Dynamic load rating (radial)
C_{0r}	45000 N / Static load rating (radial)
C_{ur}	6200 N / Fatigue limit load, radial
n_G	10200 1/min / Limiting speed
n_B	6900 1/min / Reference speed
	LR20X25X26,5 / Suitable inner ring
	IR20X25X26,5 / Suitable inner ring
Category	Needle Non Thrust Roller Bearings
Inventory	0.0
Manufacturer Name	SCHAEFFLER GROUP
Minimum Buy Quantity	N/A

HK2526 Bearing 2D drawings and 3D CAD models



LINK BELT BEARING LTD

Weight / Kilogram	0
Product Group	B04144
Rolling Element	Needle Roller Bearing
Component	Roller Assembly with Outer Ring - No Inner Ring
Enclosure	Open
Self Aligning	No
Retainer	Yes
Number of Rows of Rollers	Single Row
Separable	No
Closed End	No
Inch - Metric	Metric
Relubricatable	No
Thrust Bearing	No
Long Description	25MM Bore; 32MM Outside Diameter; 26MM Width; Needle Roller Bearing; Roller Assembly with Outer Ring - No Inner Ring; Open; Not Self Aligning; Retainer; Single Row of Rollers; Not Separable; Not Close
Other Features	2 Rib Outer Ring Drawn Cup Bearing Steel Cage
Category	Needle Non Thrust Roller Bearing
UNSPSC	31171512
Harmonized Tariff Code	8482.99.65.30
Noun	Roller Assembly with Outer Ring
Keyword String	Bearing Needle
Manufacturer URL	http://www.ina.com
Manufacturer Item Number	HK2526
Weight / LBS	0.097
Bore	0.984 Inch 25 Millimeter



LINK BELT BEARING LTD

Outside Diameter	1.26 Inch 32 Millimeter
Width	1.024 Inch 26 Millimeter