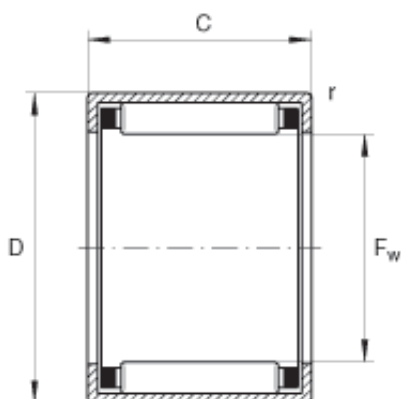




LINK BELT BEARING LTD



INA HK3026 GERMANY Bearing 35 × 42 × 20

Bearing No. HK3026

Size	30x37x26 mm
Bore Diameter	30 mm
Outer Diameter	37 mm
Width	26 mm
F_w	30 mm
D	37 mm
C - 26 mm / Tolerance: -0,3	26 mm / Tolerance: 0,3
r_{min}	0,8 mm
m	51 g / Weight
C_r	28000 N / Dynamic load rating (radial)
C_{or}	54000 N / Static load rating (radial)
C_{ur}	7400 N / Fatigue limit load, radial
n_G	8600 1/min / Limiting speed
n_B	5900 1/min / Reference speed
	LR25X30X26,5 / Suitable inner ring
	IR25X30X26,5 / Suitable inner ring
Category	Needle Non Thrust Roller Bearings
Inventory	0.0
Manufacturer Name	SCHAEFFLER GROUP
Minimum Buy Quantity	N/A
Weight / Kilogram	0.05

HK3026 Bearing 2D drawings and 3D CAD models



LINK BELT BEARING LTD

Product Group	B04144
Rolling Element	Needle Roller Bearing
Component	Roller Assembly with Outer Ring - No Inner Ring
Enclosure	Open
Self Aligning	No
Retainer	Yes
Number of Rows of Rollers	Single Row
Separable	No
Closed End	No
Inch - Metric	Metric
Relubricatable	No
Thrust Bearing	No
Long Description	30MM Bore; 37MM Outside Diameter; 26MM Width; Needle Roller Bearing; Roller Assembly with Outer Ring - No Inner Ring; Open Enclosure; No Self Aligning; Retainer; Single Row of Rollers; No Separable; N
Other Features	2 Rib Outer Ring Drawn Cup Bearing Steel Cage
Category	Needle Non Thrust Roller Bearing
UNSPSC	31171512
Harmonized Tariff Code	8482.40.00.00
Noun	Bearing
Keyword String	Needle
Manufacturer URL	http://www.ina.com
Manufacturer Item Number	HK3026
Weight / LBS	0.112
Bore	1.181 Inch 30 Millimeter
Outside Diameter	1.457 Inch 37 Millimeter
Width	1.024 Inch 26 Millimeter



LINK BELT BEARING LTD