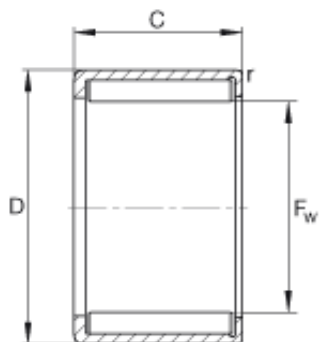




LINK BELT BEARING LTD



INA HN4020 GERMANY Bearing 2.5*20*3000

Bearing No. HN4020

Size	40x47x20 mm
Bore Diameter	40 mm
Outer Diameter	47 mm
Width	20 mm
F_w	40 mm
D	47 mm
C - 20 mm / Tolerance: -0,3	20 mm / Tolerance: 0,3
r_{min}	0,8 mm
m	60,5 g / Weight
C_r	36000 N / Dynamic load rating (radial)
C_{0r}	95000 N / Static load rating (radial)
C_{ur}	12700 N / Fatigue limit load, radial
n_G	3750 1/min / Limiting speed
n_B	3650 1/min / Reference speed
	LR35X40X20,5 / Suitable inner ring
	IR35X40X20 / Suitable inner ring

HN4020 Bearing 2D drawings and 3D CAD models