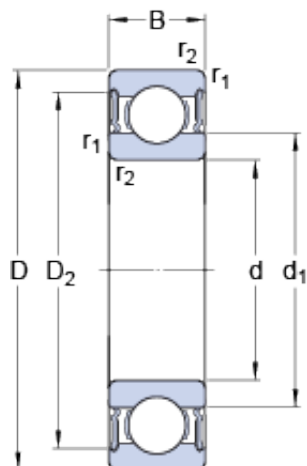




LINK BELT BEARING LTD



65 mm x 140 mm x 33 mm SKF 6313-2RS1
GERMANY Bearing 65*140*33

Bearing No. 6313-2RS1

6313-2RS1 Bearing 2D drawings and 3D CAD models

Size	140x65x33 mm
Bore Diameter	140 mm
Outer Diameter	65 mm
Width	33 mm
d	65 mm
D	140 mm
B	33 mm
d ₁	88.35 mm
D ₂	121.3 mm
r _{1,2} - min.	2.1 mm
d _a - min.	77 mm
d _a - max.	88.3 mm
D _a - max.	128 mm
r _a - max.	2 mm
Basic dynamic load rating - C	97.5 kN
Basic static load rating - C ₀	60 kN
Fatigue load limit - P _u	2.5 kN
Limiting speed	3200 r/min
Calculation factor - k _r	0.03
Calculation factor - f ₀	13.2
Category	Single Row Ball Bearings
Inventory	0.0
Manufacturer Name	SKF
Minimum Buy Quantity	N/A



LINK BELT BEARING LTD

Weight / Kilogram	2.157
Product Group	B00308
Enclosure	2 Seals
Precision Class	ABEC 1 ISO P0
Maximum Capacity / Filling Slot	No
Rolling Element	Ball Bearing
Snap Ring	No
Internal Special Features	No
Cage Material	Steel
Enclosure Type	Contact Seal
Internal Clearance	C0-Medium
Inch - Metric	Metric
Long Description	65MM Bore; 140MM Outside Diameter; 33MM Outer Race Width; 2 Seals; Ball Bearing; ABEC 1 ISO P0; No Filling Slot; No Snap Ring; No Internal Special Features; C0-Medium Internal Clearance; Steel Cage;
Other Features	Deep Groove NBR Seal
Category	Single Row Ball Bearing
UNSPSC	31171504
Harmonized Tariff Code	8482.10.50.68
Noun	Bearing
Keyword String	Ball
Manufacturer URL	http://www.skf.com
Manufacturer Item Number	6313-2RS1
Weight / LBS	4.751
Outer Race Width	1.299 Inch 33 Millimeter
Outside Diameter	5.512 Inch 140 Millimeter
Bore	2.559 Inch 65 Millimeter
Inner Race Width	0 Inch 0 Millimeter



LINK BELT BEARING LTD

d_1	88.35 mm
D_2	121.3 mm
$r_{1,2}$ min.	2.1 mm
d_a min.	77 mm
d_a max.	88.3 mm
D_a max.	128 mm
r_a max.	2 mm
Basic dynamic load rating C	97.5 kN
Basic static load rating C_0	60 kN
Fatigue load limit P_u	2.5 kN
Calculation factor k_r	0.03
Calculation factor f_0	13.2
Mass bearing	2.16 kg